

1-130 Quarter-Turn with Wing Pr20.1 L18

Hand operable with wing handle with or without key, Optional pre-assembly

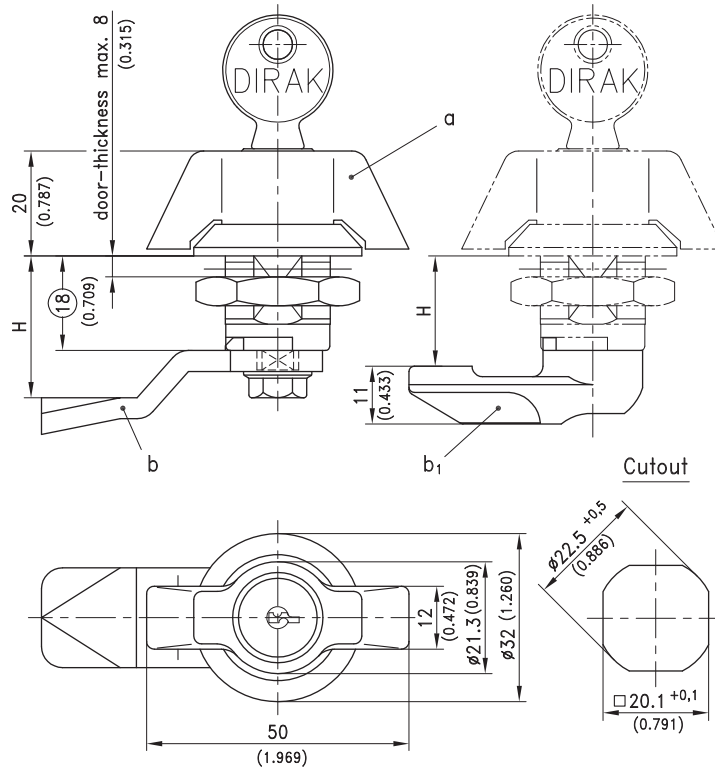


Product Notes:

- Components can be pre-assembled by DIRAK upon request
- Pre-assembled Quarter-Turn can be installed in cutout
- RH and LH application

Material:

- Refer to descriptions listed



	Non Locking (with blank)	Keyed alike DIRAK 1333	Keyed alike DS200	Keyed Different	See Page
a) Quarter-turn with wing handle consisting of:	200-9301*	200-9302**	500-9302**	200-9303**	
- Handle part PA (black) with Zinc Die core					
- Key cylinder Zinc Die (Chrome Plated)					
- or blank PA (black)					
- Housing Zinc Die (black)					
- Plain/ grounding nut: Zinc Die					
a1) Quarter-turn as a), but handle, housing, barrel or plug made of PA (black)					
Nut steel (zinc plated)	200-9368*	200-9369**	-	200-9370**	
Nut PA (black)	200-9371*	200-9372**	-	200-9373**	
b) Cam steel (zinc plated)					01.101, 01.102
b1) Cam PA (black)					01.42
Optional:					
c) Assembling of cam	200-0001	200-0001	200-0001	200-0001	
Assembling cam 90° to handle without O-ring	200-0019	200-0019	200-0019	200-0019	

* Water and dust tight according IP65, DIN EN 60529

** with stainless dust-shutter